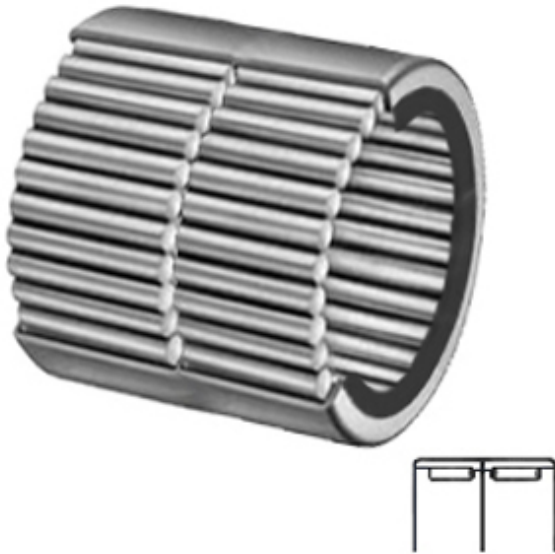




## NTN Bearing Brazil Bearings Ltda.



GR 40 SS Bearing 2D drawings and 3D CAD models

2.5 Inch | 63.5 Millimeter x 3.25 Inch | 82.55  
Millimeter x 1.75 Inch | 44.45 Millimeter MCGILL  
GR 40 SS Needle Non Thrust Roller Bearings

Bearing No. GR 40 SS

Category	Needle Non Thrust Roller Bearings
Inventory	0.0
Manufacturer Name	REGAL BELOIT
Minimum Buy Quantity	N/A
Weight	0.595
EAN	0726166062712
Product Group	B04144
Rolling Element	Needle Roller Bearing
Component	Roller Assembly with Outer Ring - No Inner Ring
Enclosure	2 Seals
Self Aligning	No
Retainer	No
Number of Rows of Rollers	Double Row
Separable	No
Closed End	No
Inch - Metric	Inch
Relubricatable	Yes
Thrust Bearing	No
Long Description	2-1/2" Bore; 3-1/4" Outside Diameter; 1-3/4" Width; Needle Roller Bearing; Roller Assembly with Outer Ring - No Inner Ring; 2 Seals Enclosure; No Self Aligning; No Retainer;



## NTN Bearing Brazil Bearings Ltda.

	Double Row
Other Features	1 Rib Outer Ring   Full Complement   Heavy Duty   Oil Hole
Category	Needle Non Thrust Roller Bearing
UNSPSC	31171512
Harmonized Tariff Code	8482.40.00.00
Noun	Bearing
Keyword String	Needle
Manufacturer URL	<a href="http://www.emerson-ept.com">http://www.emerson-ept.com</a>
Manufacturer Item Number	GR-40-SS
Manufacturer Internal Number	5004030000
Weight / LBS	1.31
B	1.75 Inch   44.45 Millimeter
D	3.25 Inch   82.55 Millimeter
d	2.5 Inch   63.5 Millimeter