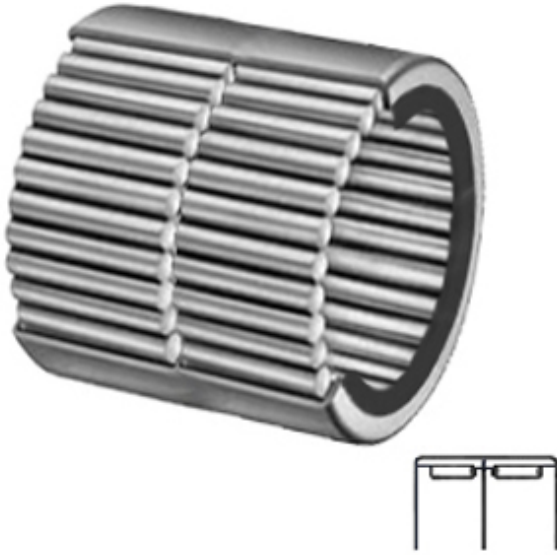




NTN Bearing Brazil Bearings Ltda.



GR 36 S Bearing 2D drawings and 3D CAD models

2.25 Inch | 57.15 Millimeter x 3 Inch | 76.2
Millimeter x 1.75 Inch | 44.45 Millimeter MCGILL
GR 36 S Needle Non Thrust Roller Bearings

Bearing No. GR 36 S

Category	Needle Non Thrust Roller Bearings
Inventory	0.0
Manufacturer Name	REGAL BELOIT
Minimum Buy Quantity	N/A
Weight	0.536
EAN	0726166062569
Product Group	B04144
Rolling Element	Needle Roller Bearing
Component	Roller Assembly with Outer Ring - No Inner Ring
Enclosure	1 Seal
Self Aligning	No
Retainer	No
Number of Rows of Rollers	Double Row
Separable	No
Closed End	No
Inch - Metric	Inch
Relubricatable	Yes
Thrust Bearing	No
Long Description	2-1/4" Bore; 3" Outside Diameter; 1-3/4" Width; Needle Roller Bearing; Roller Assembly with Outer Ring - No Inner Ring; 1 Seal Enclosure; No Self Aligning; No Retainer; Double Row



NTN Bearing Brazil Bearings Ltda.

	of Ro
Other Features	1 Rib Outer Ring Full Complement Heavy Duty Oil Hole
Category	Needle Non Thrust Roller Bearing
UNSPSC	31171512
Harmonized Tariff Code	8482.40.00.00
Noun	Bearing
Keyword String	Needle
Manufacturer URL	http://www.emerson-ept.com
Manufacturer Item Number	GR-36-S
Manufacturer Internal Number	5003610000
Weight / LBS	1.18
d	2.25 Inch 57.15 Millimeter
D	3 Inch 76.2 Millimeter
B	1.75 Inch 44.45 Millimeter