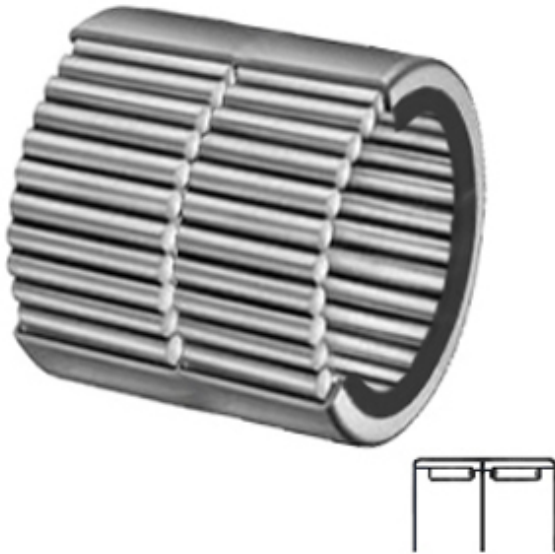




# NTN Bearing Brazil Bearings Ltda.



2 Inch | 50.8 Millimeter x 2.563 Inch | 65.1  
 Millimeter x 1.25 Inch | 31.75 Millimeter MCGILL  
 GR 32 SS Needle Non Thrust Roller Bearings

Bearing No. GR 32 SS

GR 32 SS Bearing 2D drawings and 3D CAD models

|                           |  |
|---------------------------|--|
| Category                  | Needle Non Thrust Roller Bearings  |
| Inventory                 | 0.0  |
| Manufacturer Name         | REGAL BELOIT   |
| Minimum Buy Quantity      | N/A  |
| Weight                    | 0.245  |
| EAN                       | 0726166062453  |
| Product Group             | B04144   |
| Rolling Element           | Needle Roller Bearing  |
| Component                 | Roller Assembly with Outer Ring - No Inner Ring  |
| Enclosure                 | 2 Seals  |
| Self Aligning             | No   |
| Retainer                  | No   |
| Number of Rows of Rollers | Double Row   |
| Separable                 | No   |
| Closed End                | No   |
| Inch - Metric             | Inch   |
| Relubricatable            | Yes  |
| Thrust Bearing            | No   |
| Long Description          | 2" Bore; 2-9/16" Outside Diameter; 1-1/4" Width; Needle Roller Bearing; Roller Assembly with Outer Ring - No Inner Ring; 2 Seals Enclosure; No Self Aligning; No Retainer; |



## NTN Bearing Brazil Bearings Ltda.

|                              |   |
|------------------------------|---|
|                              | Double Row of   |
| Other Features               | 1 Rib Outer Ring   Full Complement   Heavy Duty   Oil Hole          |
| Category                     | Needle Non Thrust Roller Bearing                                    |
| UNSPSC                       | 31171512  |
| Harmonized Tariff Code       | 8482.40.00.00   |
| Noun                         | Bearing   |
| Keyword String               | Needle  |
| Manufacturer URL             | <a href="http://www.emerson-ept.com">http://www.emerson-ept.com</a> |
| Manufacturer Item Number     | GR-32-SS  |
| Manufacturer Internal Number | 5003230000  |
| Weight / LBS                 | 0.54  |
| D                            | 2.563 Inch   65.1 Millimeter  |
| B                            | 1.25 Inch   31.75 Millimeter  |
| d                            | 2 Inch   50.8 Millimeter  |