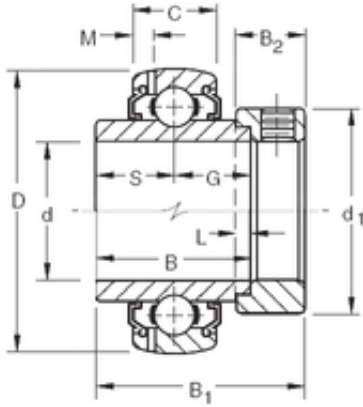




NTN Bearing Brazil Bearings Ltda.

42,8625 mm x 85 mm x 42,86 mm TIMKEN G1111KLLB Insert Bearings Spherical OD



Bearing No. G1111KLLB

Size	42.8625x85x42.86 mm
Bore Diameter	42,8625 mm
Outer Diameter	85 mm
Width	42,86 mm
d	42,8625 mm
D	85 mm
B	42,86 mm
C	22 mm
d1	63,5 mm
B1	56,4 mm
B2	18,3 mm
G	21,4 mm
L	4,8 mm
M	0,179 mm
S	21,4 mm
Weight	0,899 Kg
Basic dynamic load rating (C)	36,3 kN

G1111KLLB Bearing 2D drawings and 3D CAD models